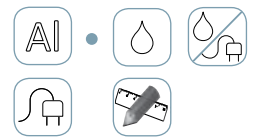




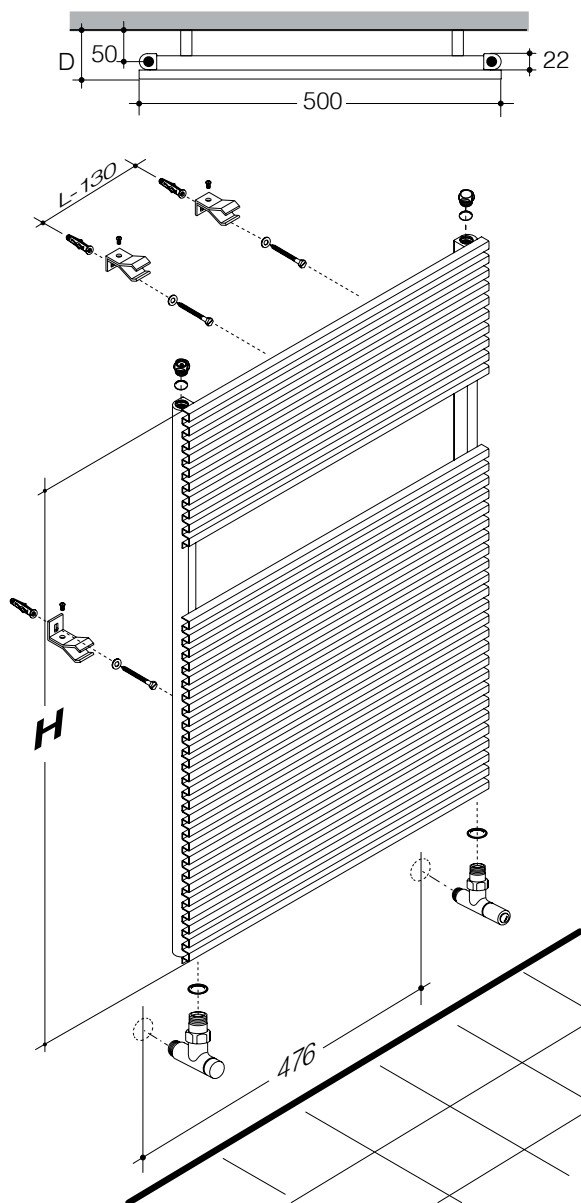
rigone bath



Dimensioni espresse in millimetri
Potenza espressa in Watt
Radiatore in alluminio.

Dimension expressed in millimetres
Output expressed in Watt
Aluminium radiator.

	H (mm)	D (mm)	L (mm)	 (lt)	 (W)	 Δt	 (mm)	 (mm)	Finiture / Finishing
	(mm)	(mm)	(mm)	(lt)	Δt 50°	Δt 30°			
50/80	800	74	500	1,2	378	208	350	476	RAL ANTHRACITE
50/120	1200	74	500	1,5	533	293	500	476	
50/150	1500	74	500	1,8	662	364	600	476	
50/180	1800	74	500	2,2	819	450	800	476	



KIT VALVOLE VALVES KIT (pag. 124)

manual	thermostatic
1	1T + 14
2	2T + 14
3	3T + 14
4	
5	5T
6	
7	7
8	8T + 14
9	9T + 14
10	10T + 14
11	
12	
13	

Valvole disponibili/
Suitable valves



Kit base di elettrificazione (riempimento e resistenza)
Basic Electrification kit (filling and electric element)
Termostati / thermostats (pag. 126)

CONNESSIONI/CONNECTIONS

